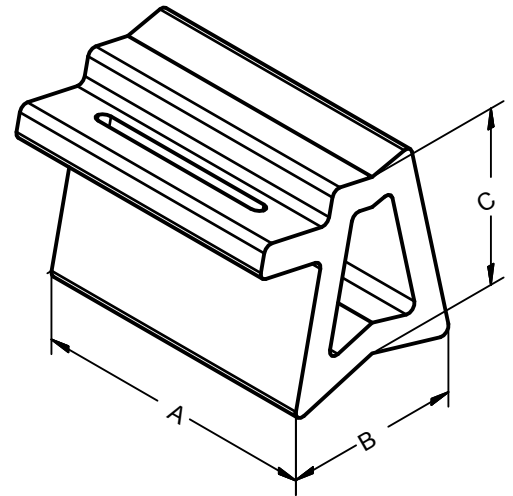


# Bell Cable Spacer



**FORTE PLASTICS COMPANY**  
**INJECTION MOLDING SPECIALISTS**

7581 Manchester Tfwy  
Kansas City, Missouri 64132



Part No.	Dimensions (inches)			Size
	A	B	C	
100-0016-01	1.20	.75	.25	1/4"
-02	1.13	.70	.50	1/2"
-03	1.20	.75	.75	3/4"
-04	1.20	.75	1.00	1"
-06	1.20	.75	1.50	1½"
-08	1.20	.75	2.00	2"