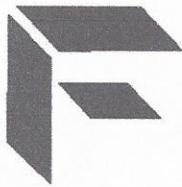
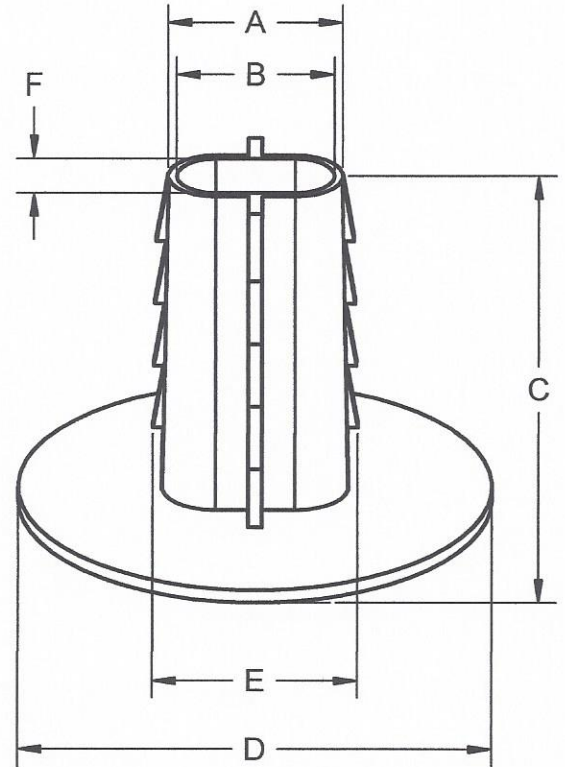


Dual Feed-Thru Bushing



FORTE PLASTICS COMPANY
INJECTION MOLDING SPECIALISTS

7581 Manchester Tfwy
 Kansas City, Missouri 64132



Part No.	Dimensions (inches)						Color
	A	B	C	D	E	F	
100-0021-01	.710	.580	1.375	1.70	.73	.280	Clear
-02	.710	.580	1.375	1.70	.73	.280	Beige
-03	.710	.580	1.375	1.70	.73	.280	Black
-04	.710	.580	1.375	1.70	.73	.280	White