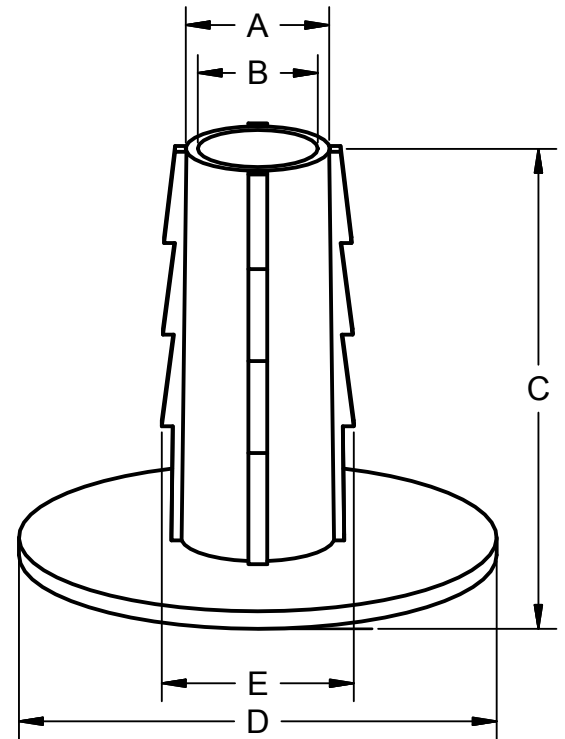


Feed-Thru Bushing, Single



FORTE PLASTICS COMPANY
INJECTION MOLDING SPECIALISTS

7581 Manchester Tfwy
 Kansas City, Missouri 64132



Part No.	Dimensions					Color
	A	B	C	D	E	
100-0019-00	.375	.310	1.18	1.25	.500	Natural
-01	.375	.310	1.18	1.25	.500	Clear
-02	.375	.310	1.18	1.25	.500	Beige
-03	.375	.310	1.18	1.25	.500	Black
-04	.375	.310	1.18	1.25	.500	White
100-0020-01	.375	.265	1.18	1.25	.500	Clear
-02	.375	.265	1.18	1.25	.500	Beige
-03	.375	.265	1.18	1.25	.500	Black
-04	.375	.265	1.18	1.25	.500	White
100-0029-01	.375	.210	1.18	1.25	.500	Clear
-02	.375	.210	1.18	1.25	.500	Beige
-03	.375	.210	1.18	1.25	.500	Black
-04	.375	.210	1.18	1.25	.500	White